

Model 19

Current Transformer Window Diameter 4.25"

Application

Metering.

Frequency

50-400 Hz.

Insulation Level

600 Volt, 10 kV BIL full wave.

SHT terminal are brass studs No. 8-32 with one flatwasher, lockwasher and regular nut.

RT terminal are brass studs No. 10-32 with one flatwasher, lockwasher and regular nut.

Flexible leads are UL 1015, 105 °C, CSA approved, #16 AWG, 24" long. Non-standard, lead length can be specified.

Order mounting bracket kit 0221B00183 separately for model 19SHT.

Order bus bar mounting kit 0221A26075 separately, factory installed.

Approximate weight 3 lbs.



Model 19RT

Model 19SHT

Model 19RL



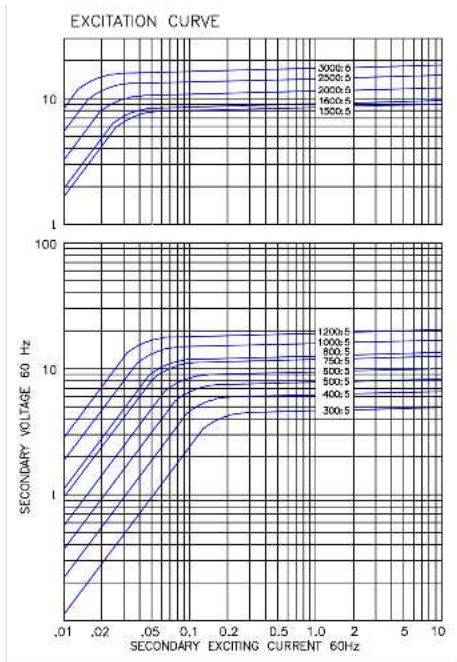
Model 19

| Catalog Number | Current Ratio | V.A. ± 1% Class | ANSI Metering Class at 60 Hz | | | | | Secondary Winding Resistance (Ω @ 75 °C) | Continuous Thermal Rating Factor | |
|----------------|---------------|-----------------|------------------------------|------|------|------|------|--|----------------------------------|---------|
| | | | B0.1 | B0.2 | B0.5 | B0.9 | B1.8 | | @ 30 °C | @ 55 °C |
| 19**–301 | 300:5 | 4.0 | 0.6 | 1.2 | 2.4 | — | — | 0.048 | 2.0 | 2.0 |
| 19**–401 | 400:5 | 10.0 | 0.3 | 0.6 | 1.2 | — | — | 0.064 | 2.0 | 2.0 |
| 19**–501 | 500:5 | 15.0 | 0.3 | 0.6 | 1.2 | — | — | 0.087 | 2.0 | 1.5 |
| 19**–601 | 600:5 | 15.0 | 0.3 | 0.3 | 0.6 | 1.2 | — | 0.116 | 2.0 | 1.5 |
| 19**–751 | 750:5 | 25.0 | 0.3 | 0.3 | 0.6 | 0.6 | — | 0.145 | 1.5 | 1.33 |
| 19**–801 | 800:5 | 30.0 | 0.3 | 0.3 | 0.6 | 0.6 | — | 0.155 | 1.5 | 1.33 |
| 19**–102 | 1,000:5 | 30.0 | 0.3 | 0.3 | 0.6 | 0.6 | — | 0.242 | 1.33 | 1.0 |
| 19**–122 | 1,200:5 | 40.0 | 0.3 | 0.3 | 0.3 | 0.6 | — | 0.291 | 1.33 | 1.0 |
| 19**–152 | 1,500:5 | 15.0 | 0.3 | 0.3 | 0.6 | 1.2 | — | 0.200 | 1.5 | 1.0 |
| 19**–162 | 1,600:5 | 15.0 | 0.3 | 0.3 | 0.3 | 0.6 | — | 0.213 | 1.5 | 1.0 |
| 19**–202 | 2,000:5 | 20.0 | 0.3 | 0.3 | 0.3 | 0.6 | — | 0.266 | 1.33 | 1.0 |
| 19**–252 | 2,500:5 | 20.0 | 0.3 | 0.3 | 0.3 | 0.3 | — | 0.333 | 1.0 | 0.8 |
| 19**–302 | 3,000:5 | 25.0 | 0.3 | 0.3 | 0.3 | 0.3 | — | 0.399 | 1.0 | 0.8 |

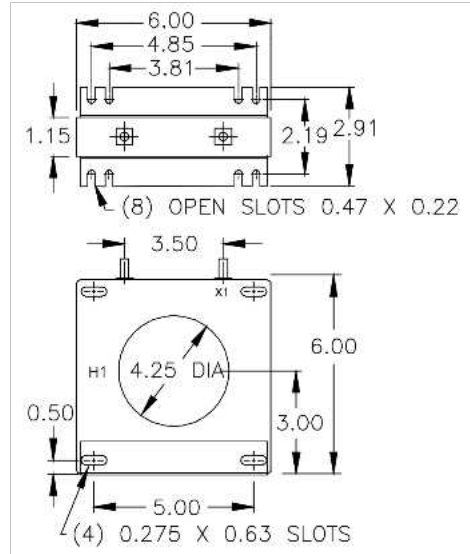
**Note: When ordering, prefix Cat No. with model designation required i.e. 19RL-301, 19SHT-301, etc.



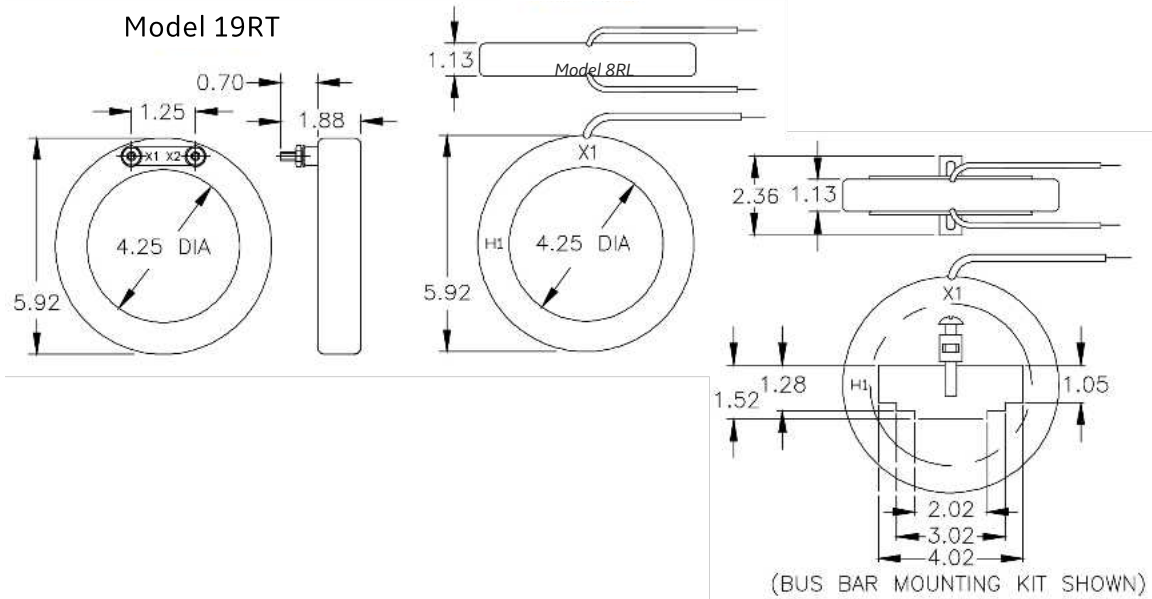
Model 19



Model 19SHT



Model 19RL



Grid-AIS-L4-ITL_Model_19-1220-2017_05-EN. © Copyright 2017. General Electric Company and Instrument Transformers LLC reserve the right to change specifications of described products at any time without notice and without obligation to notify any person of such changes.

